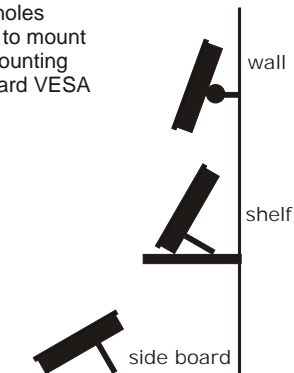
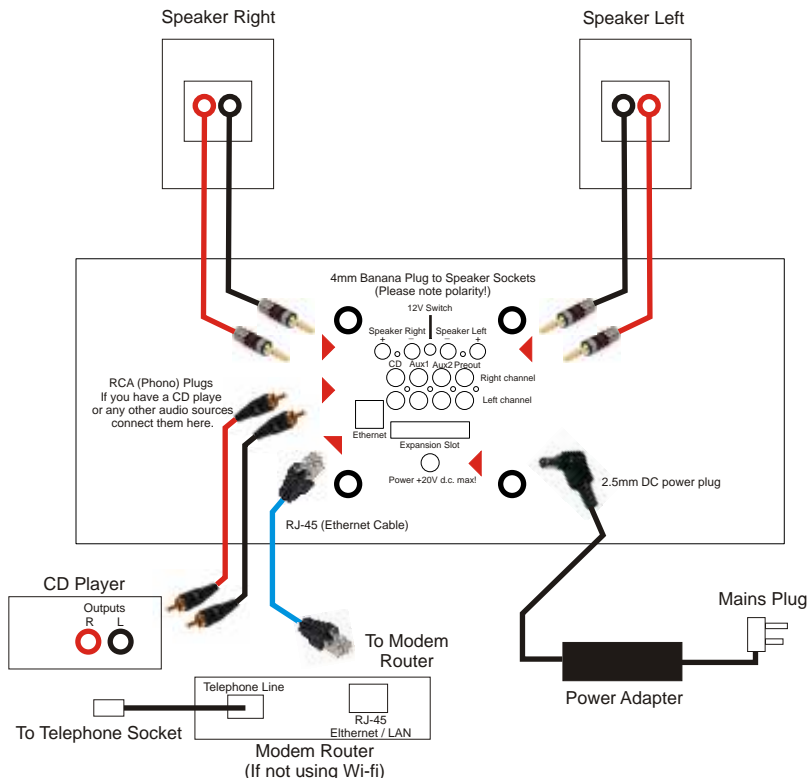


### Assembling your Morpheus:

In your accessory compartment you will find a pair of stainless steel legs. Using the legs provided you can assemble your Morpheus as shown. Just screw the legs into two of the mounting holes provided, as shown below. Use the bottom two holes to mount upright or the top two to mount on its back. All four mounting holes may be used for wall mounting using the standard VESA



### A typical connection diagram:



If you are unsure about how to connect your Morpheus, please contact your supplier.

## For Wi-Fi Setup:



Telephone socket

Wireless Modem Router

Morpheus



## Navigation Controls:

The Morpheus utilises a very simple but effective navigation control where all user functions can be Accessed using the main dial and the back button, as shown opposite.

## First time installation:

Power ON:

SCANNING

Using the power supply provided, plug your Morpheus into the mains. After a few seconds the Morpheus will switch on automatically.



MY NETWORK  
OTHER NETWORK

The unit will then begin to scan for Wi-Fi networks, followed by displaying a list of Wi-Fi networks found.

3 seconds

Enter WEP/WPA  
key

Rotate the dial to highlight your own network and **press down** to select it. If the screen displays either Enter WPA or WEP key, it will then request you enter your wireless network key after a few seconds (Else the Morpheus will connect automatically).



[END] AB C DEFGH  
ACC

To enter the key, rotate the dial to select each character of the key. Pressing the dial will confirm each character. Once you have entered the complete password, Scroll to the word "END" and press the main dial. Press the BACK button to undo any error.



£\$%^ [END] AB C  
BCC Radio1

Please note the password is case sensitive!

A X a !

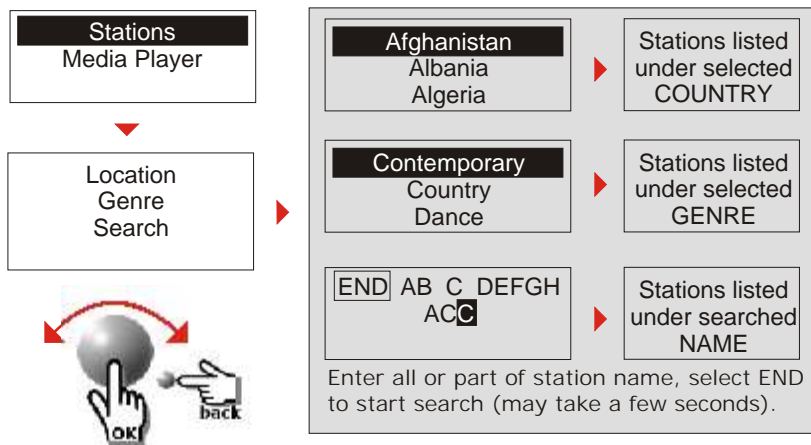
The radio should now automatically connect to the your network and display STATIONS on the screen (**Main menu**). For information on how to tune in your stations please see overleaf.



Stations  
Media Player

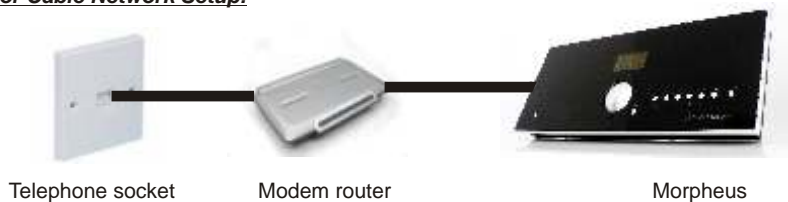
### Tuning in, Station search:

With the Morpheus you have access to over 14,000 stations plus many more on-demand stations world-wide. At anytime press the Dial or the Back button to access the **Main menu** to select Stations. You can then search by Location, Genre, Local Stations and even Name search.



Hint: To save the stations to Presets 1 to 5, simply hold down one of the 5 preset buttons for 5 seconds. Pressing the SHIFT button first and then a Preset button will save the station to Presets 6-10. You can save over as many times as you like.

### For Cable Network Setup:



For station tuning and searching instructions please see top of page!

## Morpheus in your home



Morpheus shown with Penaudio Rogue 6 speakers (available separately).

### Hints and tips:

Always refer to the User Manual for further information on the Morpheus. You can also find regular updates on our website: [www.sonneteer.co.uk](http://www.sonneteer.co.uk) Remember safety first: Always disconnect the Morpheus when connecting or disconnecting anything from the Morpheus.

### Warning:

The Morpheus is designed for indoor use only. Do not expose the unit to moisture, extreme cold or heat source. Use only the power adapter supplied with the Morpheus. Disconnect the Morpheus from the mains supply whenever the Morpheus is not being used for long periods of time. No user serviceable parts inside, refer all servicing to your authorised dealer.

### Cleaning:

The front panel of the Morpheus is made from high quality Perspex, so proper care will prevent the front panel from premature wear or damage.. To clean the Morpheus, please only use a clean, soft, lint free cloth. A slightly damp cloth is fine for general cleaning, for heavier stains use a good quality wax based polish (Do not spray directly onto the unit). Disconnect the Morpheus from mains power when cleaning the unit. Do not apply excessive pressure when cleaning the Morpheus. Do not use any abrasive material or solvents to clean the Morpheus.

### Registration:

Please find the time to register your Morpheus on our website so you will be kept up to date with any priority information regarding the Morpheus. To Register please visit: [www.sonneteer.co.uk/register](http://www.sonneteer.co.uk/register) and follow the simple Instructions online. On there you will also find information on how to get your Morpheus registered to The Morpheus Portal where you can access other web based services available for your Morpheus.

### Manual Updates:

For the latest user manual updates for the Sonneteer Morpheus, please visit [www.sonneteer.co.uk/downloads](http://www.sonneteer.co.uk/downloads)